



Sensor

**7 -inch HD touch screen**  
**Display instrument**

## Marine Anemometer **MI9000P**



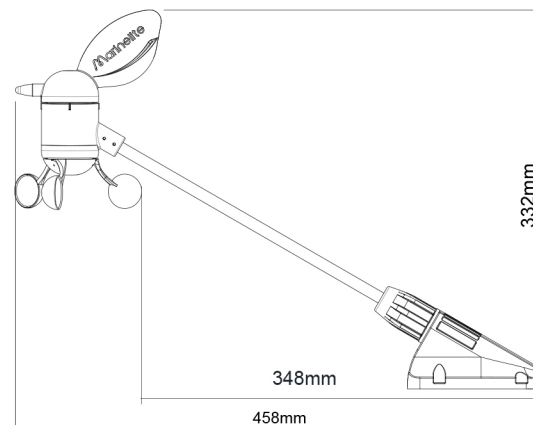
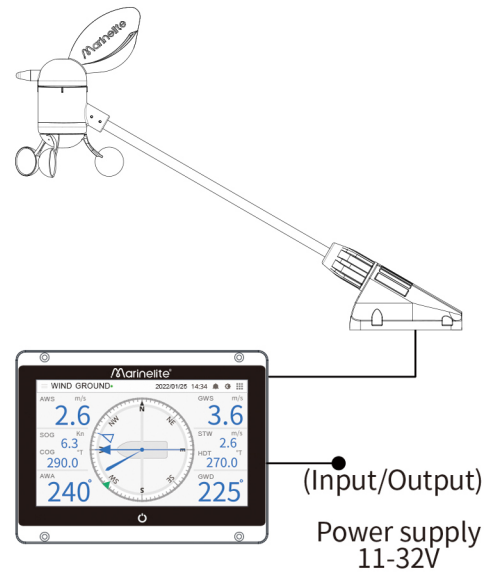
- Mi9000 series anemometers are specially designed for ships.
- It belongs to the type of wind-driven rotary shaft and meets the performance and functional requirements of ISO international standards.
- The sensor shell is made of Plastic, which has corrosion resistance, long life cycle, suitable for all kinds of ships, especially for coastal and ocean-going ship working environment.
- Using absolute encoder sensor, the acquisition is more accurate.
- The display adopts a 7-inch full-touch high-definition LCD screen, which is beautiful in design and easy to operate. The interface design adopts the international professional ship design style, with three display modes of real wind speed and direction, relative wind speed and direction, and ground wind speed and direction, which can be selected flexibly.
- Sunny, cloudy, dusk, and night 4 color matching modes, which have comfortable visual effects in different brightness environments. The automatic switching mode can automatically switch the mode according to the sunrise and sunset time, and can also set the switching time according to the needs.
- Multi-channel NMEA0183 input and output, can be connected to speed log, satellite compass, GNSS antenna, etc., and provide standard wind direction and wind speed data for other navigation equipment.

# Marine Anemometer Mi9000P

## Specification

Model	Mi9000P series
Power Supply	DC 24V
Wind direction range	0 ~ 359°
Wind direction accuracy	± 2°
Wind speed range	2 ~ 60m/s
Wind speed accuracy	± 0.5m/s (wind speed < 10m/s) ± V*5% (wind speed ≥ 10m/s)
Data output	NMEA0183 Data interface x 4, default 4800bps
Degree of protection	Sensor: IP56 Display unit: IP20
Dimensions	Activity radius 458mm (~ 18.03") Height: 332mm (~ 13.07")
Weight	Sensor weight: 0.6 kg (1.21 lbs)

● Specifications may be subject to change without notice.



## Dimensions

### Display unit

